



Part Number : [1300250103](#)

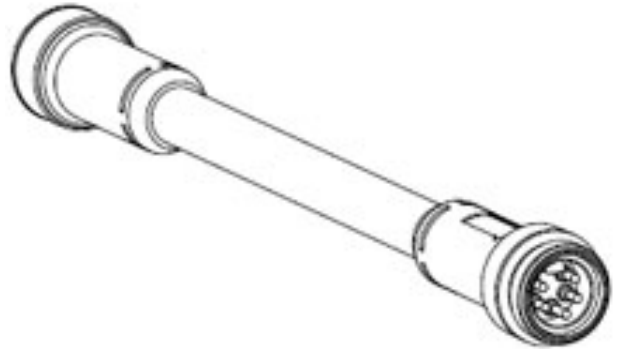
Product Description : Mini-Change Double-Ended Cordset, 5 Poles, Male (Straight) to Female (Straight), 18/15 AWG, DeviceNet Thick (Trunk) Cable, 25.0m (16.40') Length

Series Number : 130025

Status : Active

Product Category : Circular Industrial Cordsets

Engineering Number : DN11A-M250




Documents & Resources

Drawings

[1300250103_sd.pdf](#)

Product Environment Compliance

Compliance

| | |
|--------------------|---|
| GADSL/IMDS | Not Relevant |
| China RoHS |  |
| EU ELV | Not Relevant |
| Low-Halogen Status | Not Low-Halogen per IEC 61249-2-21 |
| REACH SVHC | Contains Lead... per D(2024)4144-DC (27 June 2024) |
| EU RoHS | Compliant with Exemption 6(c) per EU 2015/863 |

Multiple Part Product Compliance Statements

- Eu RoHS
- REACH SVHC
- Low-Halogen

Multiple Part Industry Compliance Documents

- IPC 1752A Class C
- IPC 1752A Class D
- Molex Product Compliance Declaration
- IEC-62474

Part Details

General

| | |
|--------------|--|
| Status | Active |
| Category | Circular Industrial Cordsets |
| Series | 130025 |
| Description | Mini-Change Double-Ended Cordset, 5 Poles, Male (Straight) to Female (Straight), 18/15 AWG, DeviceNet Thick (Trunk) Cable, 25.0m (16.40') Length |
| IP Rating | IP67 |
| Product Name | DeviceNet Trunk,Mini-Change |
| Type | Double Ended |
| UPC | 78678829921 |

Agency

| | |
|-----|---------|
| CSA | LR6837 |
| UL | E152210 |

Electrical

| | |
|-------------------------------|------------|
| Current - Maximum per Contact | 4.0A |
| Voltage - Maximum | 300V AC/DC |

Physical

| | |
|----------------------|-----------------|
| Cable Diameter | 12.10mm (.480") |
| Cable Length | 25.0m (82.02') |
| Color - Cable Jacket | Gray |
| Connector End A | Mini-Change |
| Connector End B | Mini-Change |
| Coupling Style | Threaded |
| Gender | Female-Male |
| Keyway | Single |
| LED Indicator | None |

| | |
|-------------------------------|----------------------|
| Material - Cable Jacket | PVC |
| Material - Connector Body | PVC |
| Material - Contact | Copper Alloy |
| Material - Coupling Nut | Zinc Die-Cast |
| Material - Plating Mating | Gold |
| Net Weight | 4473.959/g |
| Orientation | Straight to Straight |
| Poles | 5 |
| Temperature Range - Operating | -20° to +80°C |
| Wire/Cable Type | N/A |
| Wire Size (AWG) | 15, 18 |

This document was generated on Mar 27, 2025