



Part Number : [1300350007](#)

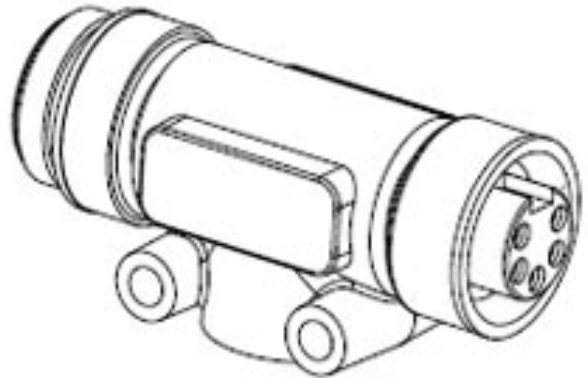
Product Description : DeviceNet Power Monitor Inline with LEDs, 5 Pole, Male to Female

Series Number : 130035

Status : Not Recommended For New Design

Product Category : Industrial Tees and Splitters

Engineering Number : 115011A-PM-1



Documents & Resources

Product Environment Compliance

Compliance

GADSL/IMDS	Not Relevant
China RoHS	Not Reviewed per SJ/T 11365-2006
EU ELV	Not Relevant
Low-Halogen Status	Not Reviewed per IEC 61249-2-21
REACH SVHC	Not Reviewed per D(2024)7663-DC (21 Jan 2025)
EU RoHS	Not Reviewed per EU 2015/863

Multiple Part Product Compliance Statements

- Eu RoHS
- REACH SVHC
- Low-Halogen

Multiple Part Industry Compliance Documents

- IPC 1752A Class C
- IPC 1752A Class D
- Molex Product Compliance Declaration
- IEC-62474
- chemSHERPA (xml)

EU RoHS Certificate of Compliance

Part Details

General

Status	Not Recommended For New Design
Category	Industrial Tees and Splitters
Series	130035
Description	DeviceNet Power Monitor Inline with LEDs, 5 Pole, Male to Female
IP Rating	IP67
Product Name	DeviceNet Trunk
Type	Diagnostic Tee
UPC	78678853315

Electrical

Current - Maximum per Contact	8.0A
Voltage - Maximum	30V AC

Physical

Color - Cable Jacket	Gray
Drop Connector	N/A
Drop Gender	N/A
Keyway	Single
LED Indicator	Blue, Green, Red, Yellow
Left Trunk Connector	DeviceNet
Left Trunk Gender	Male
Leg 1 Length	N/A
Leg 2 Length	N/A
Material - Cable Jacket	N/A
Material - Connector Body	TPE
Material - Coupling Nut	Black Epoxy Coated Zinc
Poles	5
Right Trunk Connector	DeviceNet
Right Trunk Gender	Female
Temperature Range - Operating	-20°C to +80°C

This document was generated on Mar 27, 2025