



Part Number : [1300350008](#)

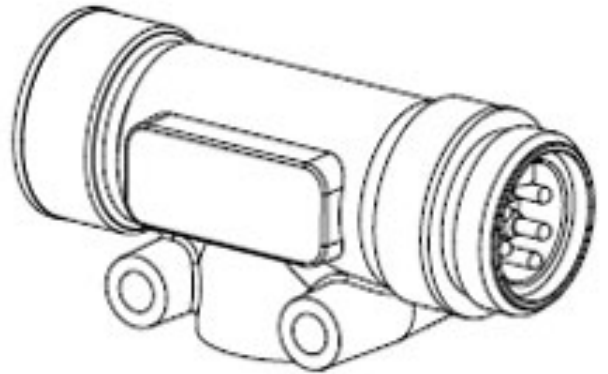
Product Description : DeviceNet Power Monitor Inline with LEDs, 5 Pole, Female to Male

Series Number : 130035

Status : Not Recommended For New Design

Product Category : Industrial Tees and Splitters


Engineering Number : 115011A-PM-3



Documents & Resources

Product Environment Compliance

Compliance

GADSL/IMDS	Not Relevant
China RoHS	
EU ELV	Not Relevant
Low-Halogen Status	Not Reviewed per IEC 61249-2-21
REACH SVHC	Contains Dibutylphthalate; Tris(2-chloroethyl) phosphate; Lead per D(2022)9120-DC (17 Jan 2023)
EU RoHS	Not Compliant per EU 2015/863

Multiple Part Product Compliance Statements

- Eu RoHS
- REACH SVHC
- Low-Halogen

Multiple Part Industry Compliance Documents

- IPC 1752A Class C
- IPC 1752A Class D
- Molex Product Compliance Declaration
- IEC-62474
- chemSHERPA (xml)

EU RoHS Certificate of Compliance

Part Details

General

Status	Not Recommended For New Design
Category	Industrial Tees and Splitters
Series	130035
Description	DeviceNet Power Monitor Inline with LEDs, 5 Pole, Female to Male
IP Rating	IP67
Product Name	DeviceNet Trunk
Type	Diagnostic Tee
UPC	78678853318

Electrical

Current - Maximum per Contact	8.0A
Voltage - Maximum	30V AC

Physical

Color - Cable Jacket	Gray
Drop Connector	N/A
Drop Gender	N/A
Keyway	Single
LED Indicator	Blue, Green, Red, Yellow
Left Trunk Connector	Mini-Change
Left Trunk Gender	Female
Leg 1 Length	N/A
Leg 2 Length	N/A
Material - Cable Jacket	N/A
Material - Connector Body	TPE
Material - Coupling Nut	Black Epoxy Coated Zinc
Net Weight	958.000/g
Poles	5
Right Trunk Connector	DeviceNet
Right Trunk Gender	Male
Temperature Range - Operating	-20°C to +80°C

This document was generated on Mar 28, 2025