



Part Number : [1300350015](#)

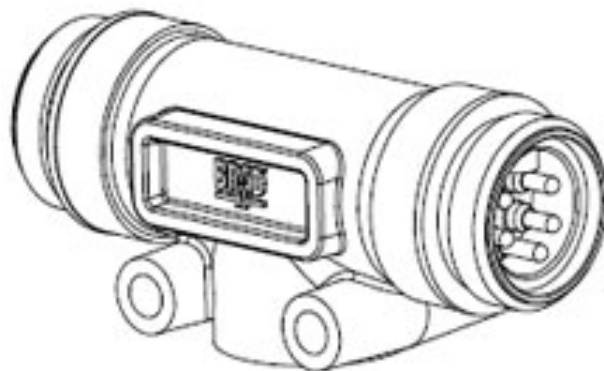
Product Description : Mini-Change Gender Changer, Straight Male/Male, 5 Poles

Series Number : 130035

Status : Active

Product Category : Circular Industrial Connectors

Engineering Number : 115060A



Documents & Resources

Drawings

[1300350015_sd.pdf](#)

Product Environment Compliance

Compliance

GADSL/IMDS	Not Relevant
China RoHS	Not Reviewed per SJ/T 11365-2006
EU ELV	Not Relevant
Low-Halogen Status	Not Reviewed per IEC 61249-2-21
REACH SVHC	Not Reviewed per D(2024)7663-DC (21 Jan 2025)
EU RoHS	Not Reviewed per EU 2015/863

Multiple Part Product Compliance Statements

- Eu RoHS
- REACH SVHC
- Low-Halogen

Multiple Part Industry Compliance Documents

- IPC 1752A Class C
- IPC 1752A Class D
- Molex Product Compliance Declaration
- IEC-62474
- chemSHERPA (xml)

Part Details

General

Status	Active
Category	Circular Industrial Connectors
Series	130035
Description	Mini-Change Gender Changer, Straight Male/Male, 5 Poles
IP Rating	IP67
Product Name	Mini-Change
Type	Gender Changer
UPC	78678848003

Electrical

Current - Maximum per Contact	8.0A
Voltage - Maximum	50V

Physical

Cable Diameter	N/A
Coupling Type	N/A
Diagnostics / LEDs	No
Diagnostics Port	No
Gender	Male
Keyway	None
Material - Connector Body	TPE
Material - Contact	Copper Alloy
Material - Coupling Nut	Zinc Die-Cast
Material - Plating Mating	Gold
Orientation	Straight
Poles	5
Temperature Range - Operating	-20°C to +80°C
Wire Size (AWG)	N/A

This document was generated on Mar 27, 2025