



Part Number : [1300600066](#)

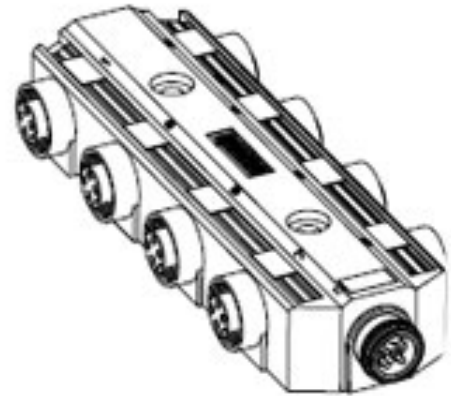
Product Description : Mini-Change 4 Pole, 8 Ports Drop DeviceNet Aux Power

Series Number : 130060

Status : Active

Product Category : Passive Distribution Boxes

Engineering Number : DNAUX8000




Documents & Resources

Drawings

[1300600066_sd.pdf](#)

Product Environment Compliance

Compliance

GADSL/IMDS	Not Relevant
China RoHS	
EU ELV	Not Relevant
Low-Halogen Status	Not Low-Halogen per IEC 61249-2-21
REACH SVHC	Not Contained per ED/01/2018 (15 January 2018)
EU RoHS	Not Compliant per EU 2015/863

Multiple Part Product Compliance Statements

- Eu RoHS
- REACH SVHC
- Low-Halogen

Multiple Part Industry Compliance Documents

- IPC 1752A Class C
- IPC 1752A Class D
- Molex Product Compliance Declaration
- IEC-62474
- chemSHERPA (xml)

Part Details

General

Status	Active
Category	Passive Distribution Boxes
Series	130060
Description	Mini-Change 4 Pole, 8 Ports Drop DeviceNet Aux Power
IP Rating	IP67
Product Name	DeviceNet,Mini-Change
UPC	78172501462

Agency

UL	E152210
----	---------

Electrical

Current - Maximum per Contact	10.0A
Functional Wiring	Parallel
Voltage - Maximum	600V AC/DC
Wiring Configuration	Single I/O per Port

Physical

Bus I/O	Mini-Change
Cable Connector Orientation	N/A
Cable Length	N/A
Home Run Cable Length	N/A
Home Run Connector	Mini-Change - 4 pole
Home Run Interface	Integrated Connector
Keyway	Single
LED Indicator	None
Material - Cable Jacket	N/A
Material - Housing	PBT
Material - Metal	Copper
Material - Plating Mating	Gold

Net Weight	555.000/g
Orientation	Side Mount
Poles	4
Poles (wired)	4
Ports	8
Temperature Range - Operating	0°C to +60°C

This document was generated on Mar 27, 2025