



Part Number : [1300660069](#)

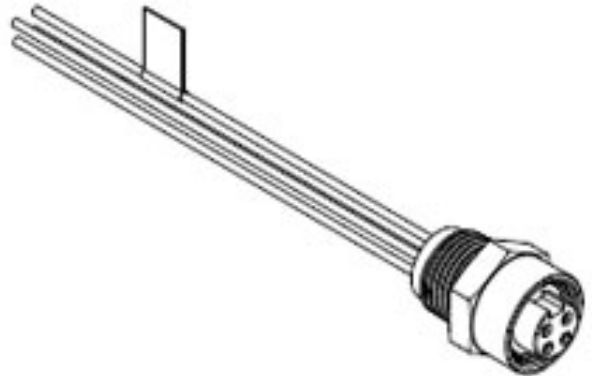
Product Description : BradPower A-Size (7/8"-M22) Receptacle, 4 Poles, Female, 1/2" - 14 NPT, 14/1 AWG, 0.5m (1.64') Length

Series Number : 130066

Status : Active

Product Category : Circular Industrial Connectors

Engineering Number : 1R4000A28M005G



---

## Documents & Resources

### Drawings

[1300660069\\_sd.pdf](#)

---

## Product Environment Compliance

### Compliance

GADSL/IMDS	Not Relevant
China RoHS	Not Relevant
EU ELV	Not Relevant
Low-Halogen Status	Not Low-Halogen per IEC 61249-2-21
REACH SVHC	Contains Dodecachloropentacyclo[12.2.1.16, 9.02,13.05,10]octadeca-7,15-diene ("Dechlorane Plus™"); Arsenic acid (H3AsO4), triethyl ester; 2,4-Dinitrotoluene; 1-Methyl-2-pyrrolidone; formamide... per D(2024)4144-DC (27 June 2024)
EU RoHS	Compliant with Exemption 6(c) per EU 2015/863

### Multiple Part Product Compliance Statements

- Eu RoHS
- REACH SVHC
- Low-Halogen

### Multiple Part Industry Compliance Documents

- IPC 1752A Class C
- IPC 1752A Class D
- Molex Product Compliance Declaration
- IEC-62474
- chemSHERPA (xml)

EU RoHS Certificate of Compliance

---

## Part Details

### General

Status	Active
Category	Circular Industrial Connectors
Series	130066
Description	BradPower A-Size (7/8"-M22) Receptacle, 4 Poles, Female, 1/2" - 14 NPT, 14/1 AWG, 0.5m (1.64') Length
IP Rating	IP67
Product Name	BradPower A-Size
Type	Single Ended (pigtail)
UPC	78678856635

### Agency

UL	E258922
----	---------

### Electrical

Current - Maximum per Contact	15.0A
Voltage - Maximum	600V

### Physical

Coupling Type	Internal Thread
Gender	Female
Keyway	Single
Length	0.50m
Material - Component	Nickel-plated Zinc Die-Cast
Mounting Thread Size	1/2" - 14 NPT
Net Weight	111.000/g

Orientation	Straight
Panel Mount	Front
Poles	4
Temperature Range - Operating	-20° to +105°C
Wire/Cable Type	UL 1015
Wire Size (AWG)	14

---

This document was generated on Mar 27, 2025