



**Part Number :** [1300660170](#)

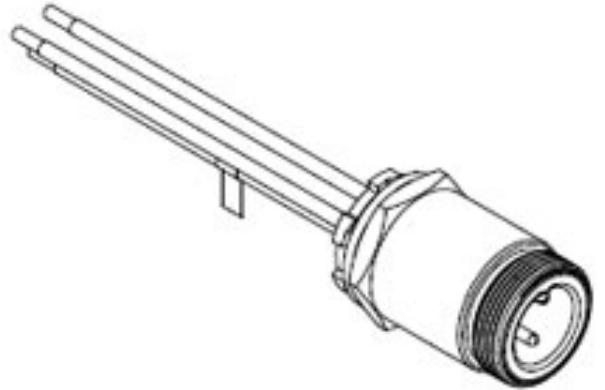
**Product Description :** BradPower D-Size (1 3/8"-M35) Brad Power Receptacle, 4 Poles, Male, 1/2" - 14 NPT, 10 AWG, 0.5m (1.64') Length

**Series Number :** 130066

**Status :** Active

**Product Category :** Circular Industrial Connectors

**Engineering Number :** CR4006A30M005



---

## Documents & Resources

### Drawings

[1300660170\\_sd.pdf](#)

---

## Product Environment Compliance

### Compliance

GADSL/IMDS	Not Relevant
China RoHS	
EU ELV	Not Relevant
Low-Halogen Status	Not Reviewed per IEC 61249-2-21
REACH SVHC	Contains Lead per D(2024)4144-DC (27 June 2024)
EU RoHS	Compliant with Exemption 6(c) per EU 2015/863

### Multiple Part Product Compliance Statements

- Eu RoHS
- REACH SVHC
- Low-Halogen

### Multiple Part Industry Compliance Documents

- IPC 1752A Class C
- IPC 1752A Class D
- Molex Product Compliance Declaration
- IEC-62474
- chemSHERPA (xml)

## Part Details

### General

Status	Active
Category	Circular Industrial Connectors
Series	130066
Description	BradPower D-Size (1 3/8"-M35) Brad Power Receptacle, 4 Poles, Male, 1/2" - 14 NPT, 10 AWG, 0.5m (1.64') Length
IP Rating	IP67
Product Name	BradPower D-Size
Type	Single Ended (pigtail)
UPC	78678858949

### Agency

UL	E258922
----	---------

### Electrical

Current - Maximum per Contact	32.0A
Voltage - Maximum	600V

### Physical

Coupling Type	External Thread
Gender	Male
Keyway	Single
Length	0.50m
Material - Component	Clear Anodized Aluminum
Mounting Thread Size	1/2" - 14 NPT
Net Weight	255.000/g
Orientation	Straight
Panel Mount	Front
Poles	4
Temperature Range - Operating	-20° to +90°C
Wire/Cable Type	UL 1015

Wire Size (AWG)	10
-----------------	----

---

This document was generated on Mar 27, 2025