



**Part Number :** [1300660254](#)

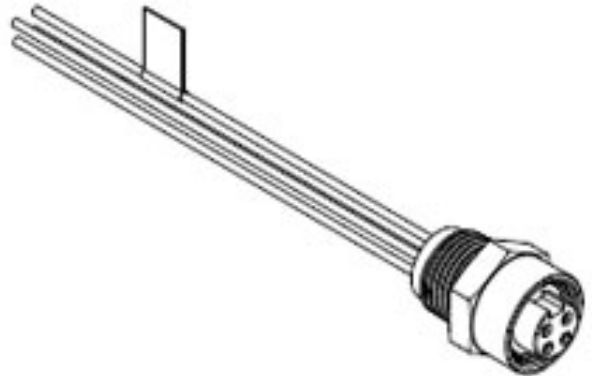
**Product Description :** BradPower A-Size (7/8"-M22) Receptacle, 4 Poles, 1/2" - 14 NPT, Female (Straight) to 16/1 AWG Leads, 0.5m (19.7") Length

**Series Number :** 130066

**Status :** Active

**Product Category :** Circular Industrial Connectors

**Engineering Number :** 1R4000A20M005G



---

## Documents & Resources

### Drawings

[1300660254\\_sd.pdf](#)

---

## Product Environment Compliance

### Compliance

GADSL/IMDS	Not Relevant
China RoHS	Not Relevant
EU ELV	Not Relevant
Low-Halogen Status	Not Low-Halogen per IEC 61249-2-21
REACH SVHC	Contains Lead per D(2024)4144-DC (27 June 2024)
EU RoHS	Compliant with Exemption 6(c) per EU 2015/863

### Multiple Part Product Compliance Statements

- Eu RoHS
- REACH SVHC
- Low-Halogen

### Multiple Part Industry Compliance Documents

- IPC 1752A Class C
- IPC 1752A Class D
- Molex Product Compliance Declaration
- IEC-62474

## Part Details

### General

Status	Active
Category	Ring and Spade Terminals
Series	19070
Description	InsulKrimp Ring Tongue Terminal for 22-18 AWG Wire, Stud Size 8 (M4), Length 22.00mm, Red, Bag
Keyword	Ring Terminal, Ring Terminals
Product Name	InsulKrimp
Type	Ring
UPC	800753068766

### Agency

CSA	LR18689
UL	E32244

### Physical

Barrel Type	Closed
Color - Resin	Red
Flammability	94V-0
Insulation	PVC
Material - Plating Mating	Tin
Net Weight	0.700/g
Packaging Type	Bag
Stud Size	8 (M4)
Wire Insulation Diameter	3.70mm max.
Wire Size (AWG)	18, 20, 22

### Solder Process Data

Lead-Free Process Capability	N/A
------------------------------	-----

---

---

This document was generated on Mar 27, 2025