



Part Number : [1300680105](#)

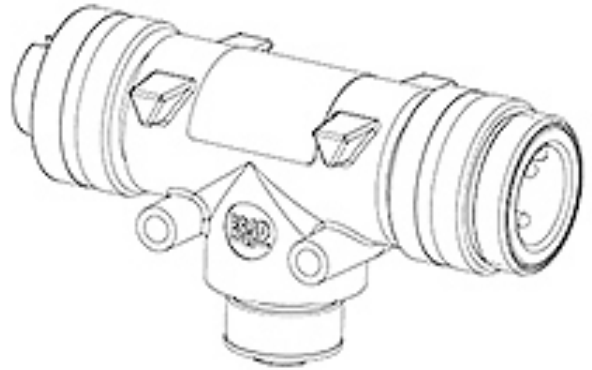
Product Description : BradPower D-Size (1 3/8"-M35) 3-Pole Reducing Tee, with 3-Pole BradPower A-Size (7/8"-M22) Drop, Red

Series Number : 130068

Status : Active

Product Category : Industrial Tees and Splitters

Engineering Number : TC30130-200E



Documents & Resources

Drawings

[1300680105_sd.pdf](#)

Product Environment Compliance

Compliance

GADSL/IMDS	Not Relevant
China RoHS	
EU ELV	Not Relevant
Low-Halogen Status	Not Low-Halogen per IEC 61249-2-21
REACH SVHC	Contains Boron oxide; Methanaminium, N-[4-[[4-(dimethylamino)phenyl][4-(phenylamino)-1-nap..... per D(2022)9120-DC (17 Jan 2023)
EU RoHS	Compliant with Exemption 6(c) per EU 2015/863

Multiple Part Product Compliance Statements

- Eu RoHS
- REACH SVHC
- Low-Halogen

Multiple Part Industry Compliance Documents

- IPC 1752A Class C
- IPC 1752A Class D

- Molex Product Compliance Declaration
- IEC-62474
- chemSHERPA (xml)

EU RoHS Certificate of Compliance

Part Details

General

Status	Active
Category	Industrial Tees and Splitters
Series	130068
Description	BradPower D-Size (1 3/8"-M35) 3-Pole Reducing Tee, with 3-Pole BradPower A-Size (7/8"-M22) Drop, Red
IP Rating	IP67
Product Name	BradPower D-Size
Type	Power Tap Tee
UPC	78172545165

Agency

UL	E258922
----	---------

Electrical

Current - Maximum per Contact	15.0A, 32.0A
Voltage - Maximum	600V AC/DC

Physical

Drop Connector	BradPowerA-Size (7/8"-M22)
Drop Gender	Female
Keyway	Single
Left Trunk Connector	BradPower D-Size (1 3/8"-M35)
Left Trunk Gender	Female
Leg 1 Length	N/A
Leg 2 Length	N/A
Material - Cable Jacket	N/A
Material - Connector Body	PVC

Material - Coupling Nut	Anodized Aluminum
Net Weight	252.650/g
Poles	3
Right Trunk Connector	BradPower D-Size (1 3/8"-M35)
Right Trunk Gender	Male
Temperature Range - Operating	-20°C to +90°C

This document was generated on Mar 27, 2025