



Part Number : 1300980065

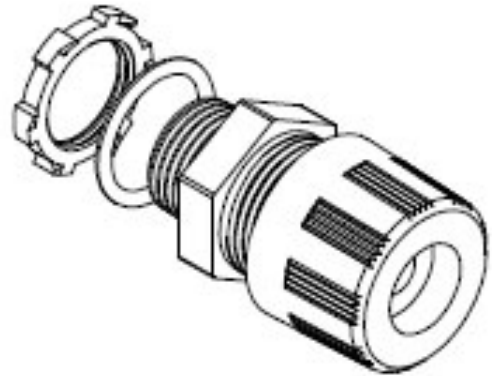
Product Description : MAX-LOC Strain Relief Cord-Sealing Grip, 1/2" NPT, Straight Male with O-Ring, Cable Diameter 7.93-9.53mm (.312-.375"), Polyester

Series Number : 130098

Status : Active

Product Category : Cable Grips

Engineering Number : 5526WBLK



Product Environment Compliance

Compliance

China RoHS	Not Reviewed
EU ELV	Not Reviewed
Low-Halogen Status	Not Reviewed
REACH SVHC	Not Reviewed
EU RoHS	Not Reviewed

Multiple Part Product Compliance Statements

- Eu RoHS
- REACH SVHC
- Low-Halogen

Multiple Part Industry Compliance Documents

- IPC 1752A Class C
- IPC 1752A Class D
- Molex Product Compliance Declaration
- IEC-62474
- chemSHERPA (xml)

EU RoHS Certificate of Compliance

Part Details

General

Status	Active
Category	Cable Grips

Series	130098
Description	MAX-LOC Strain Relief Cord-Sealing Grip, 1/2" NPT, Straight Male with O-Ring, Cable Diameter 7.93-9.53mm (.312-.375"), Polyester
NEMA Rating	NEMA 6P
Product Name	MAX-LOC
Type	Strain Relief Grip
UPC	78678855263

Agency

CSA	LR32159
UL	E76954

Physical

Approximate Break Strength	N/A
Bale Length	N/A
Body Style	Straight
Cable Diameter	7.93-9.53mm (.312-.375")
Color - Grommet	Gray
Eye Type	N/A
Gender	Male
Material - Body	PBT
Material - Grip	N/A
Mesh Length	N/A
Number of Holes	1
O-Ring	Yes
Thread Size	1/2" NPT

Use with Part(s)

Description	Part Number
MAX-LOC Lock Nut 1/2" NPT	<u>1300990143</u>