



Part Number : [1300980098](#)

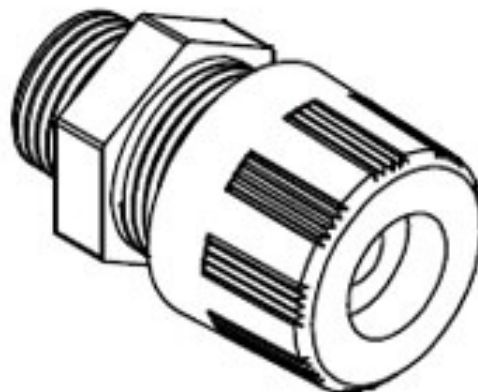
Product Description : MAX-LOC Strain Relief Cord-Sealing Grip, 3/4" NPT, Straight Male, Cable Diameter 9.53-15.88mm (.375-.625")

Series Number : 130098

Status : Active

Product Category : Cable Grips

Engineering Number : 5536C



Product Environment Compliance

Compliance

China RoHS	Not Reviewed
EU ELV	Not Reviewed
Low-Halogen Status	Not Reviewed
REACH SVHC	Not Reviewed
EU RoHS	Not Reviewed

Multiple Part Product Compliance Statements

- Eu RoHS
- REACH SVHC
- Low-Halogen

Multiple Part Industry Compliance Documents

- IPC 1752A Class C
- IPC 1752A Class D
- Molex Product Compliance Declaration
- IEC-62474
- chemSHERPA (xml)

EU RoHS Certificate of Compliance

Part Details

General

Status	Active
Category	Cable Grips

Series	130098
Description	MAX-LOC Strain Relief Cord-Sealing Grip, 3/4" NPT, Straight Male, Cable Diameter 9.53-15.88mm (.375-.625")
NEMA Rating	NEMA 3R
Product Name	MAX-LOC
Type	Strain Relief Grip
UPC	78678855360

Agency

UL	E76954
----	--------

Physical

Approximate Break Strength	N/A
Bale Length	N/A
Body Style	Straight
Cable Diameter	9.53-15.88mm (.375-.625")
Color - Grommet	Black
Eye Type	N/A
Gender	Male
Material - Body	Nylon
Material - Grip	N/A
Mesh Length	N/A
Number of Holes	1
O-Ring	No
Thread Size	3/4" NPT

Use with Part(s)

Description	Part Number
MAX-LOC Lock Nut 3/4" NPT	<u>1300990144</u>
MAX-LOC Gasket Sealing Ring, 3/4" NPT, Black	<u>1300990150</u>
MAX-LOC O-Ring, 3/4" NPT	<u>1301800333</u>

This document was generated on Mar 27, 2025