



Part Number : [1301170052](#)

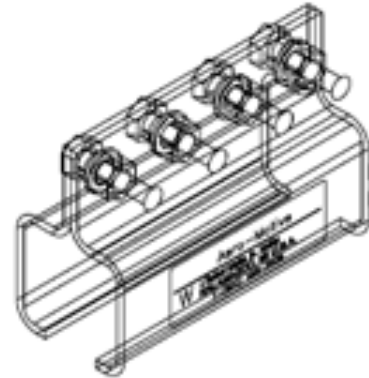
Product Description : Standard Box Track System, Joint Bracket

Series Number : 130117

Status : Active

Product Category : Festoons

Engineering Number : 5200JB



---

## Product Environment Compliance

### Compliance

China RoHS	Not Reviewed
EU ELV	Not Reviewed
Low-Halogen Status	Not Reviewed
REACH SVHC	Not Reviewed
EU RoHS	Not Reviewed

### Multiple Part Product Compliance Statements

- Eu RoHS
- REACH SVHC
- Low-Halogen

### Multiple Part Industry Compliance Documents

- IPC 1752A Class C
- IPC 1752A Class D
- Molex Product Compliance Declaration
- IEC-62474
- chemSHERPA (xml)

### EU RoHS Certificate of Compliance

---

## Part Details

### General

Status	Active
Category	Festoons

Series	130117
Description	Standard Box Track System, Joint Bracket
Component Type	Clamp - Standard Joint
Product Name	Aero-Motive
Type	Box Track - Standard
UPC	78678863155

## Physical

Depth	N/A
Duty	Medium
Height	N/A
Length	N/A
Material - Metal	N/A
Material - Resin	Nylon
Net Weight	936.750/g
Packaging Type	Individual Carton
Saddle Radius	N/A
Thread Size	N/A
Wire/Cable Type	N/A