



Part Number : 1301170053

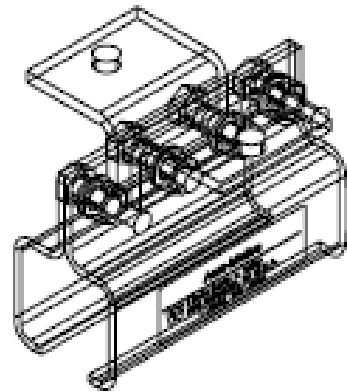
Product Description : Standard Box Track System, Joint Hanger

Series Number : 130117

Status : Active

Product Category : Festoons

Engineering Number : 5200JH



Product Environment Compliance

Compliance

China RoHS	Not Reviewed
EU ELV	Not Reviewed
Low-Halogen Status	Not Reviewed
REACH SVHC	Not Reviewed
EU RoHS	Not Reviewed

Multiple Part Product Compliance Statements

- Eu RoHS
- REACH SVHC
- Low-Halogen

Multiple Part Industry Compliance Documents

- IPC 1752A Class C
- IPC 1752A Class D
- Molex Product Compliance Declaration
- IEC-62474
- chemSHERPA (xml)

EU RoHS Certificate of Compliance

Part Details

General

Status	Active
Category	Festoons

Series	130117
Description	Standard Box Track System, Joint Hanger
Component Type	Bracket - Hanger
Product Name	Aero-Motive
Type	Box Track - Standard
UPC	78678863156

Physical

Depth	N/A
Duty	Medium
Height	N/A
Length	N/A
Material - Metal	N/A
Material - Resin	Nylon
Material - Wheel	Steel - Sealed Ball Bearing
Packaging Type	Individual Carton
Saddle Radius	N/A
Thread Size	N/A
Wire/Cable Type	N/A