



Part Number : 1301180021

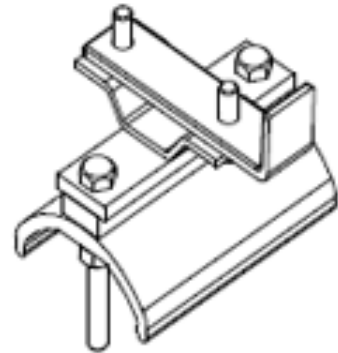
Product Description : Box Track, Festoon End
Clamp - 5410

Series Number : 130118

Status : Active

Product Category : Festoons

Engineering Number : 54102



Product Environment Compliance

Compliance

China RoHS	Not Reviewed
EU ELV	Not Reviewed
Low-Halogen Status	Not Reviewed
REACH SVHC	Not Reviewed
EU RoHS	Not Reviewed

Multiple Part Product Compliance Statements

- Eu RoHS
- REACH SVHC
- Low-Halogen

Multiple Part Industry Compliance Documents

- IPC 1752A Class C
- IPC 1752A Class D
- Molex Product Compliance Declaration
- IEC-62474
- chemSHERPA (xml)

EU RoHS Certificate of Compliance

Part Details

General

Status	Active
Category	Festoons

Series	130118
Description	Box Track, Festoon End Clamp - 5410
Component Type	End Clamp
Product Name	Aero-Motive
Type	Box Track
UPC	78678863194

Physical

Cable Height - Maximum	8.35mm (.330")
Cable Width - Maximum	59.00mm (2.320")
Depth	89.92mm (3.540")
Duty	Heavy
Height	144.78mm (5.700")
Length	144.78mm (5.700")
Material - Coating	Zinc
Material - Metal	Galvanized Steel
Material - Wheel	Steel - Sealed Ball Bearing
Net Weight	115.210/g
Packaging Type	Individual Carton
Saddle Radius	71.88mm (2.830")
Thread Size	N/A
Wire/Cable Type	Flat