



Part Number : 1301180024

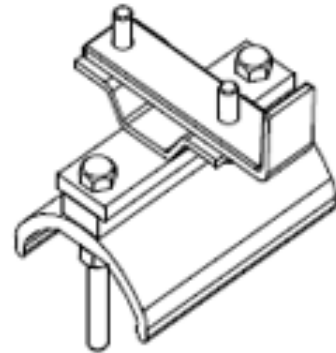
Product Description : Box Track, Festoon End
Clamp - 5412

Series Number : 130118

Status : Active

Product Category : Festoons

Engineering Number : 54122



Product Environment Compliance

Compliance

GADSL/IMDS	Not Relevant
China RoHS	Not Relevant
EU ELV	Not Relevant
Low-Halogen Status	Not Relevant
REACH SVHC	Not Relevant
EU RoHS	Not Relevant

Multiple Part Product Compliance Statements

- Eu RoHS
- REACH SVHC
- Low-Halogen

Multiple Part Industry Compliance Documents

- IPC 1752A Class C
- IPC 1752A Class D
- Molex Product Compliance Declaration
- IEC-62474
- chemSHERPA (xml)

EU RoHS Certificate of Compliance

Part Details

General

Status	Active
--------	--------

Category	Festoons
Series	130118
Description	Box Track, Festoon End Clamp - 5412
Component Type	End Clamp
Product Name	Aero-Motive
Type	Box Track
UPC	78678863197

Physical

Cable Height - Maximum	11.43mm (.450")
Cable Width - Maximum	59.00mm (2.320")
Depth	89.92mm (3.540")
Duty	Heavy
Height	144.78mm (5.700")
Length	194.82mm (7.670")
Material - Coating	Zinc
Material - Metal	Galvanized Steel
Material - Wheel	Steel - Sealed Ball Bearing
Net Weight	298.870/g
Packaging Type	Individual Carton
Saddle Radius	100.08mm (3.940")
Thread Size	N/A
Wire/Cable Type	Flat