



Part Number : 1301180029

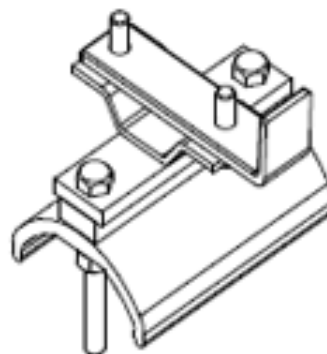
Product Description : Box Track, Festoon End Clamp

Series Number : 130118

Status : Active

Product Category : Festoons

Engineering Number : 54212



Product Environment Compliance

Compliance

GADSL/IMDS	Not Relevant
China RoHS	Not Relevant
EU ELV	Not Relevant
Low-Halogen Status	Not Relevant
REACH SVHC	Not Reviewed per D(2024)7663-DC (21 Jan 2025)
EU RoHS	Not Relevant

Multiple Part Product Compliance Statements

- Eu RoHS
- REACH SVHC
- Low-Halogen

Multiple Part Industry Compliance Documents

- IPC 1752A Class C
- IPC 1752A Class D
- Molex Product Compliance Declaration
- IEC-62474
- chemSHERPA (xml)

EU RoHS Certificate of Compliance

Part Details

General

Status	Active
--------	--------

Category	Festoons
Series	130118
Description	Box Track, Festoon End Clamp
Component Type	End Clamp
Product Name	Aero-Motive
Type	Box Track
UPC	78678863202

Physical

Cable Height - Maximum	23.11mm (.910")
Depth	39.88mm (1.570")
Duty	Heavy
Height	144.78mm (5.700")
Length	144.78mm (5.700")
Material - Coating	Zinc
Material - Metal	Galvanized Steel
Net Weight	53.750/g
Packaging Type	Individual Carton
Saddle Radius	N/A
Thread Size	N/A
Travel Speed - Maximum	73.15 mpm (240 fpm)
Wire/Cable Type	Round