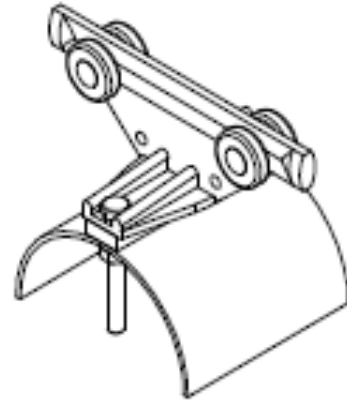




Part Number : 1301230046
Product Description : I-Beam Festoon End
Clamp 605
Series Number : 130123
Status : Active
Product Category : Festoons
Engineering Number : 0605020



Product Environment Compliance

Compliance

| | |
|--------------------|--------------|
| China RoHS | Not Reviewed |
| EU ELV | Not Reviewed |
| Low-Halogen Status | Not Reviewed |
| REACH SVHC | Not Reviewed |
| EU RoHS | Not Reviewed |

Multiple Part Product Compliance Statements

- Eu RoHS
- REACH SVHC
- Low-Halogen

Multiple Part Industry Compliance Documents

- IPC 1752A Class C
- IPC 1752A Class D
- Molex Product Compliance Declaration
- IEC-62474
- chemSHERPA (xml)

EU RoHS Certificate of Compliance

Part Details

General

| | |
|----------|----------|
| Status | Active |
| Category | Festoons |

| | |
|----------------|------------------------------|
| Series | 130123 |
| Description | I-Beam Festoon End Clamp 605 |
| Component Type | End Clamp |
| Product Name | Aero-Motive |
| Type | I-Beam |
| UPC | 78678863055 |

Physical

| | |
|--------------------------------|--------------------|
| Cable Height - Maximum | 19.05mm (.750") |
| Cable Width - Maximum | 98.00mm (3.858") |
| Combined Cable Weight-Max./Car | 79.38kg (175.0 lb) |
| Depth | 209.55mm (8.250") |
| Duty | Heavy |
| Height | 336.55mm (13.250") |
| Length | 325.88mm (12.830") |
| Material - Coating | Powder Coating |
| Material - Metal | Steel |
| Net Weight | 464.970/g |
| Packaging Type | Individual Carton |
| Saddle Radius | 79.50mm (3.130") |
| Thread Size | N/A |
| Wire/Cable Type | Flat |