



Part Number : 1301230050

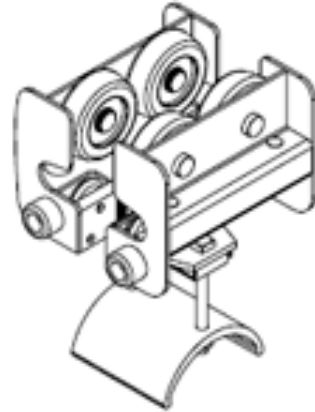
Product Description : I-Beam Festoon Intermediate Car 605 PR, for 3.25" I-Beam, Urethane Wheels

Series Number : 130123

Status : Active

Product Category : Festoons

Engineering Number : 0605410



Product Environment Compliance

Compliance

GADSL/IMDS	Not Relevant
China RoHS	Not Relevant
EU ELV	Not Relevant
Low-Halogen Status	Not Relevant
REACH SVHC	Not Reviewed per D(2024)7663-DC (21 Jan 2025)
EU RoHS	Not Relevant

Multiple Part Product Compliance Statements

- Eu RoHS
- REACH SVHC
- Low-Halogen

Multiple Part Industry Compliance Documents

- IPC 1752A Class C
- IPC 1752A Class D
- Molex Product Compliance Declaration
- IEC-62474
- chemSHERPA (xml)

EU RoHS Certificate of Compliance

Part Details

General

Status	Active
--------	--------

Category	Festoons
Series	130123
Description	I-Beam Festoon Intermediate Car 605 PR, for 3.25" I-Beam, Urethane Wheels
Component Type	Car - Intermediate
Product Name	Aero-Motive
Type	I-Beam
UPC	78678863061

Physical

Beam Size	S4 - 101.60mm
Cable Height - Maximum	19.05mm (.750")
Cable Width - Maximum	98.00mm (3.858")
Combined Cable Weight-Max./Car	79.38kg (175.0 lb)
Depth	156.46mm (6.160")
Duty	Heavy
Height	282.00 (11.100")
Length	254.00mm (10.000")
Material - Coating	Powder Coating
Material - Metal	Steel
Net Weight	5343.318/g
Number of Cars	1
Packaging Type	Individual Carton
Saddle Radius	79.50mm (3.130")
Thread Size	N/A
Wire/Cable Type	Flat