



Part Number : 1301230071

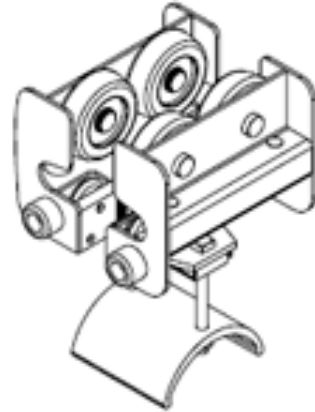
Product Description : I-Beam Festoon Intermediate Car 638 S6, for 6.0" I-Beam, with Urethane Wheels and Kick-up Wheels

Series Number : 130123

Status : Active

Product Category : Festoons

Engineering Number : 0638611



Product Environment Compliance

Compliance

| | |
|--------------------|--------------|
| China RoHS | Not Reviewed |
| EU ELV | Not Reviewed |
| Low-Halogen Status | Not Reviewed |
| REACH SVHC | Not Reviewed |
| EU RoHS | Not Reviewed |

Multiple Part Product Compliance Statements

- Eu RoHS
- REACH SVHC
- Low-Halogen

Multiple Part Industry Compliance Documents

- IPC 1752A Class C
- IPC 1752A Class D
- Molex Product Compliance Declaration
- IEC-62474
- chemSHERPA (xml)

EU RoHS Certificate of Compliance

Part Details

General

| | |
|----------|----------|
| Status | Active |
| Category | Festoons |

| | |
|----------------|--|
| Series | 130123 |
| Description | I-Beam Festoon Intermediate Car 638 S6, for 6.0" I-Beam, with Urethane Wheels and Kick-up Wheels |
| Component Type | Car - Intermediate |
| Product Name | Aero-Motive |
| Type | I-Beam |
| UPC | 78678863087 |

Physical

| | |
|--------------------------------|----------------------|
| Beam Size | S6 - 152.40mm |
| Cable Height - Maximum | 25.40mm (1.000") |
| Cable Width - Maximum | 151.38mm (5.960") |
| Combined Cable Weight-Max./Car | 79.38kg (175.0 lb) |
| Depth | 209.55mm (8.250") |
| Duty | Heavy |
| Height | 336.55mm (13.250") |
| Length | 325.88mm (12.830") |
| Material - Coating | Powder Coating |
| Material - Metal | Steel |
| Material - Wheel | Polyurethane |
| Number of Cars | 1 |
| Packaging Type | Individual Carton |
| Saddle Radius | 112.78mm (4.440") |
| Thread Size | N/A |
| Travel Speed - Maximum | 121.92 mpm (400 fpm) |
| Wire/Cable Type | Flat |