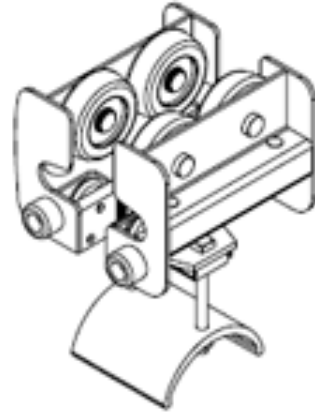




Part Number : [1301230077](#)
Product Description : I-Beam Festoon
Intermediate Car Round S4
Series Number : 130123
Status : Active
Product Category : Festoons
Engineering Number : 0639410



Product Environment Compliance

Compliance

GADSL/IMDS	Not Relevant
China RoHS	Not Relevant
EU ELV	Not Relevant
Low-Halogen Status	Not Relevant
REACH SVHC	Not Reviewed per D(2024)7663-DC (21 Jan 2025)
EU RoHS	Not Relevant

Multiple Part Product Compliance Statements

- Eu RoHS
- REACH SVHC
- Low-Halogen

Multiple Part Industry Compliance Documents

- IPC 1752A Class C
- IPC 1752A Class D
- Molex Product Compliance Declaration
- IEC-62474
- chemSHERPA (xml)

EU RoHS Certificate of Compliance

Part Details

General

Status	Active
--------	--------

Category	Festoons
Series	130123
Description	I-Beam Festoon Intermediate Car Round S4
Component Type	Car - Intermediate
Product Name	Aero-Motive
Type	I-Beam
UPC	78678863093

Physical

Beam Size	S4 - 101.60mm
Cable Height - Maximum	26.16mm (1.030")
Combined Cable Weight-Max./Car	79.38kg (175.0 lb)
Depth	209.55mm (8.250")
Duty	Heavy
Height	336.55mm (13.250")
Length	325.88mm (12.830")
Material - Coating	Powder Coating
Material - Metal	Steel
Material - Wheel	Polyurethane
Net Weight	999.990/kg
Number of Cars	1
Packaging Type	Individual Carton
Saddle Radius	112.78mm (4.440")
Thread Size	N/A
Wire/Cable Type	Round