



Part Number : 1301230085

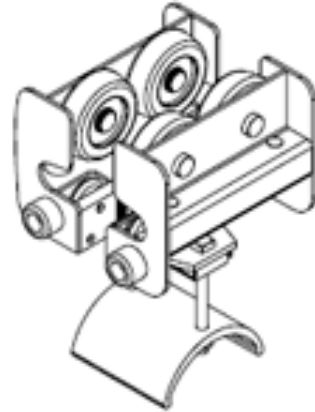
Product Description : I-Beam Festoon Intermediate Car 674 PR, with Urethane Wheels and Kick-up Wheels

Series Number : 130123

Status : Active

Product Category : Festoons

Engineering Number : 0674111



---

## Product Environment Compliance

### Compliance

GADSL/IMDS	Not Relevant
China RoHS	Not Relevant
EU ELV	Not Relevant
Low-Halogen Status	Not Relevant
REACH SVHC	Not Reviewed per D(2024)7663-DC (21 Jan 2025)
EU RoHS	Not Relevant

### Multiple Part Product Compliance Statements

- Eu RoHS
- REACH SVHC
- Low-Halogen

### Multiple Part Industry Compliance Documents

- IPC 1752A Class C
- IPC 1752A Class D
- Molex Product Compliance Declaration
- IEC-62474
- chemSHERPA (xml)

### EU RoHS Certificate of Compliance

---

## Part Details

### General

Status	Active
--------	--------

Category	Festoons
Series	130123
Description	I-Beam Festoon Intermediate Car 674 PR, with Urethane Wheels and Kick-up Wheels
Component Type	Car - Intermediate
Product Name	Aero-Motive
Type	I-Beam
UPC	78678863102

## Physical

Beam Size	Patented Rail 82.55mm
Cable Height - Maximum	11.43mm (.450")
Cable Width - Maximum	59.00mm (2.320")
Combined Cable Weight-Max./Car	79.38kg (175.0 lb)
Depth	137.92mm (5.430")
Duty	Heavy
Height	336.55mm (13.250")
Length	173.00mm (6.930")
Material - Coating	Powder Coating
Material - Metal	Steel
Material - Wheel	Polyurethane
Net Weight	658.200/g
Number of Cars	1
Packaging Type	Individual Carton
Saddle Radius	51.40mm (2.024")
Thread Size	N/A
Wire/Cable Type	Flat