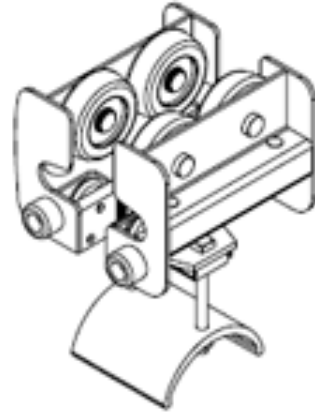




Part Number : 1301230095  
Product Description : I-Beam Festoon  
Intermediate Car 674 S6  
Series Number : 130123  
Status : Active  
Product Category : Festoons  
Engineering Number : 0674610



---

## Product Environment Compliance

### Compliance

China RoHS	Not Reviewed
EU ELV	Not Reviewed
Low-Halogen Status	Not Reviewed
REACH SVHC	Not Reviewed
EU RoHS	Not Reviewed

### Multiple Part Product Compliance Statements

- Eu RoHS
- REACH SVHC
- Low-Halogen

### Multiple Part Industry Compliance Documents

- IPC 1752A Class C
- IPC 1752A Class D
- Molex Product Compliance Declaration
- IEC-62474
- chemSHERPA (xml)

### EU RoHS Certificate of Compliance

---

## Part Details

### General

Status	Active
Category	Festoons

Series	130123
Description	I-Beam Festoon Intermediate Car 674 S6
Component Type	Car - Intermediate
Product Name	Aero-Motive
Type	I-Beam
UPC	78678863109

## Physical

Beam Size	S6 - 152.40mm
Cable Height - Maximum	11.43mm (.450")
Cable Width - Maximum	59.00mm (2.320")
Combined Cable Weight-Max./Car	79.38kg (175.0 lb)
Depth	209.55mm (8.250")
Duty	Heavy
Height	336.55mm (13.250")
Length	173.00mm (6.930")
Material - Coating	Powder Coating
Material - Metal	Steel
Material - Wheel	Polyurethane
Net Weight	53.750/g
Number of Cars	1
Packaging Type	Individual Carton
Saddle Radius	51.40mm (2.024")
Thread Size	N/A
Travel Speed - Maximum	121.92 mpm (400 fpm)
Wire/Cable Type	Flat