



Part Number : [1301230116](#)

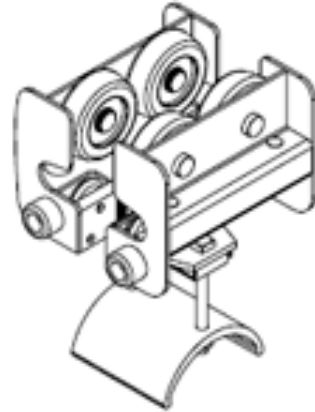
Product Description : I-Beam Festoon Intermediate Car 605 PR, for 4.0" I-Beam, Steel Wheels

Series Number : 130123

Status : Active

Product Category : Festoons

Engineering Number : S605410



---

## Product Environment Compliance

### Compliance

China RoHS	Not Reviewed
EU ELV	Not Reviewed
Low-Halogen Status	Not Reviewed
REACH SVHC	Not Reviewed
EU RoHS	Not Reviewed

### Multiple Part Product Compliance Statements

- Eu RoHS
- REACH SVHC
- Low-Halogen

### Multiple Part Industry Compliance Documents

- IPC 1752A Class C
- IPC 1752A Class D
- Molex Product Compliance Declaration
- IEC-62474
- chemSHERPA (xml)

### EU RoHS Certificate of Compliance

---

## Part Details

### General

Status	Active
Category	Festoons

Series	130123
Description	I-Beam Festoon Intermediate Car 605 PR, for 4.0" I-Beam, Steel Wheels
Component Type	Car - Intermediate
Product Name	Aero-Motive
Type	I-Beam
UPC	78678862912

## Physical

Beam Size	S4 - 101.60mm
Cable Height - Maximum	19.05mm (.750")
Cable Width - Maximum	98.00mm (3.858")
Combined Cable Weight-Max./Car	158.76kg (350.0 lb)
Depth	156.46mm (6.160")
Duty	Heavy
Height	282.00 (11.100")
Length	254.00mm (10.000")
Material - Coating	Powder Coating
Material - Metal	Steel
Material - Wheel	Steel
Net Weight	464.970/g
Number of Cars	1
Packaging Type	Individual Carton
Saddle Radius	79.50mm (3.130")
Thread Size	N/A
Travel Speed - Maximum	121.92 mpm (400 fpm)
Wire/Cable Type	Flat