



Part Number : [936010539](#)

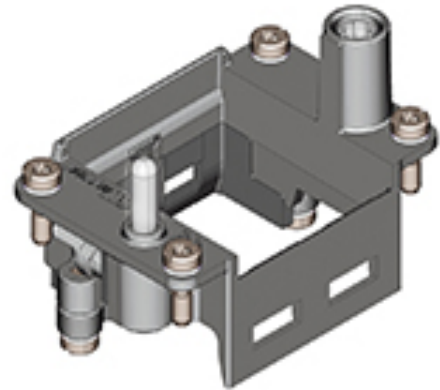
Product Description : GWconnect Frame for Size 6B «44x27» Hoods, Die-cast Zinc

Series Number : 93601

Status : Active

Product Category : Heavy-Duty Accessories

Engineering Number : 7706.3515.0



Product Environment Compliance

Compliance

GADSL/IMDS	Not Relevant
China RoHS	
EU ELV	Not Relevant
Low-Halogen Status	Low-Halogen per IEC 61249-2-21
REACH SVHC	Not Contained per D(2024)7663-DC (21 Jan 2025)
EU RoHS	Compliant per EU 2015/863

Multiple Part Product Compliance Statements

- Eu RoHS
- REACH SVHC
- Low-Halogen

Multiple Part Industry Compliance Documents

- IPC 1752A Class C
- IPC 1752A Class D
- Molex Product Compliance Declaration
- IEC-62474
- chemSHERPA (xml)

EU RoHS Certificate of Compliance

Part Details

General

Status	Active
--------	--------

Category	Heavy-Duty Accessories
Series	93601
Description	GWconnect Frame for Size 6B «44x27» Hoods, Die-cast Zinc
Product Name	GWconnect
Type	EMC, HE, HP-HE, STD
UPC	887191831329

Physical

Accessory Type	Frame
Material - Frame	Die-cast Zinc
Net Weight	59.000/g
Packaging Type	Bag

Use with Part(s)

Description	Part Number
Use With	Size 6B «44x27» Hoods and 2 Modules
