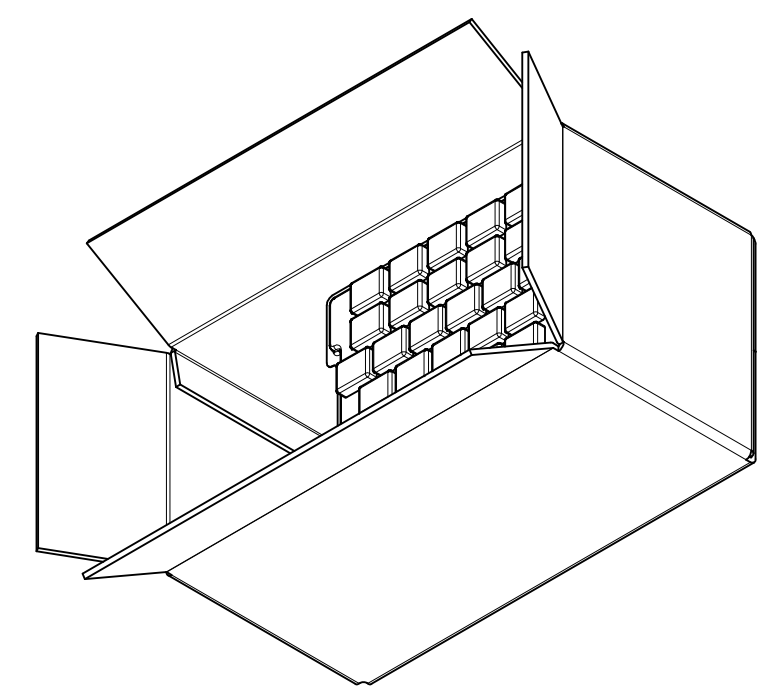
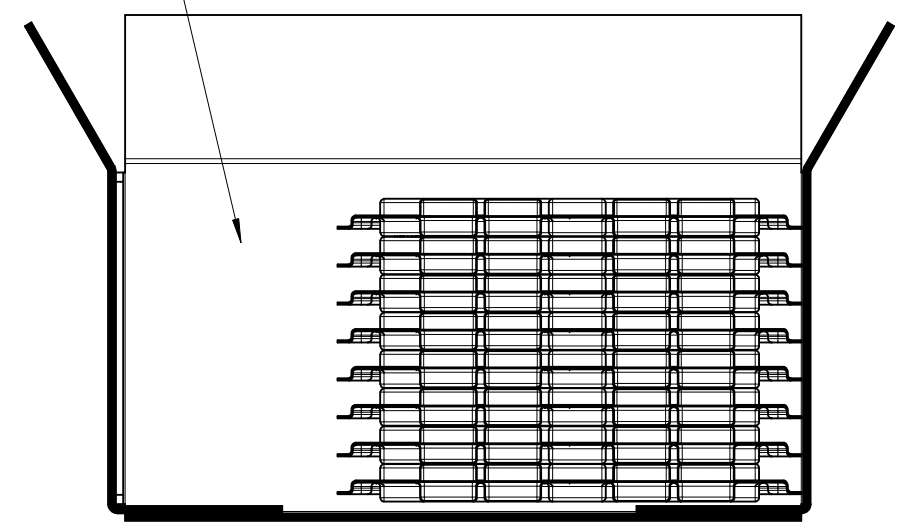


gap to be filled with filler material



Z-Z
SCALE 1:4

The receptacles are packed into Blister packages No. 1203000056 25 pieces per package.

The packages are packed for shipment into a standard carton box No. 0967070001 8 blister packages per carton. All together 200 parts.

ONLY FOR REC FRONT MOUNT! :
The o-rings and lock nut are delivered separate in plastic bags but in same carton.

Labeling after Molex standard ES-40000-7007

ENTER DESCRIPTION EC NO: IPG2012-0270 DRWN:ZISMAYILOV 2011/07/20 CHKD:RSCHIEBER 2012/01/23 APPR:AVOGT 2012/01/23	QUALITY SYMBOLS ▽=0 ◻=0	GENERAL TOLERANCES (UNLESS SPECIFIED)		DIMENSION STYLE MM ONLY		SCALE 1:2	DESIGN UNITS METRIC	THIRD ANGLE PROJECTION		
			mm	INCH	DRAWN BY NSTAUDIGEL	DATE 08.09.09	TITLE M12 CAT6A REC ASSY FRONT AND BACK MOUNT PACKAGING			
		4 PLACES	± ---	± ---	CHECKED BY RSILLER	DATE 09.10.09	MOLEX INCORPORATED			
		3 PLACES	± ---	± ---	APPROVED BY FPACHER	DATE 2009/11/12				
		2 PLACES	± 0.05	± ---	MATERIAL NO. 1293410075		DOCUMENT NO. PK-120341-075	SHEET NO. 1 OF 1		
1 PLACE	± 0.1	± ---	DRAFT WHERE APPLICABLE MUST REMAIN WITHIN DIMENSIONS							
REV		ANGULAR ± 1 °		THIS DRAWING CONTAINS INFORMATION THAT IS PROPRIETARY TO MOLEX INCORPORATED AND SHOULD NOT BE USED WITHOUT WRITTEN PERMISSION						