



PACKAGING SPECIFICATION

PACKAGING SPECIFICATION FOR DIN VALVE SERIES

S54

1.0 SCOPE	2
2.0 PURPOSE	2
3.0 GENERAL PACKAGING INFORMATION	2
4.0 PACKAGING OF DIN VALVE OPTIONS	3
4.1 - SINGLE PACKAGED: MOUNTED:	3
4.2 - BULK PACKAGED: MOUNTED:	4
5.0 CARTON DIMENSIONS	7
6.0 LABELLING	8
7.0 SHIPPING PALLETS	9

THIS DOCUMENT CONTAINS INFORMATION THAT IS PROPRIETARY TO MOLEX ELECTRONIC TECHNOLOGIES, LLC AND SHOULD NOT BE USED WITHOUT WRITTEN PERMISSION.

REVISION: J	EC INFORMATION: EC No: 638770 DATE: 2020/07/21	TITLE: PACKAGING SPECIFICATION FOR DIN VALVE SERIES S54			SHEET No. 1 of 11
DOCUMENT NUMBER: PK-121064-S54	DOC TYPE: PS	DOC PART: 001	CREATED / REVISED BY: RPRABHUM	CHECKED BY: GGA	APPROVED BY: GGA



PACKAGING SPECIFICATION

1.0 SCOPE

This specification specifies the general requirements to describe the packaging procedure for the DIN Valve series, S54 Series.

2.0 PURPOSE

The purpose of this specification is to assure that all DIN Valve options shipped from Molex arrive damage free and in a manner which allows ease of handling, storage and distribution.

3.0 GENERAL PACKAGING INFORMATION

The recommended carton closure is tape.

The shipping weight should not exceed 15kg.

THIS DOCUMENT CONTAINS INFORMATION THAT IS PROPRIETARY TO MOLEX ELECTRONIC TECHNOLOGIES, LLC AND SHOULD NOT BE USED WITHOUT WRITTEN PERMISSION.

<u>REVISION:</u> J	<u>EC INFORMATION:</u> EC No: 638770 DATE: 2020/07/21	<u>TITLE:</u> PACKAGING SPECIFICATION FOR DIN VALVE SERIES S54	<u>SHEET No.</u> 2 of 11		
<u>DOCUMENT NUMBER:</u> PK-121064-S54	<u>DOC TYPE:</u> PS	<u>DOC PART:</u> 001	<u>CREATED / REVISED BY:</u> RPRABHUM	<u>CHECKED BY:</u> GGA	<u>APPROVED BY:</u> GGA

4.0 PACKAGING OF DIN VALVE OPTIONS

4.1 - SINGLE PACKAGED: MOUNTED:

The single pack mounted connector consists of an Insert Assembly and a Cover Assembly mounted together with a screw and gasket where applicable, all placed in a bag (P/N 1211160571).

Bags of mounted connector assemblies are placed in a carton for shipping; reference Table 1 below for carton part numbers.

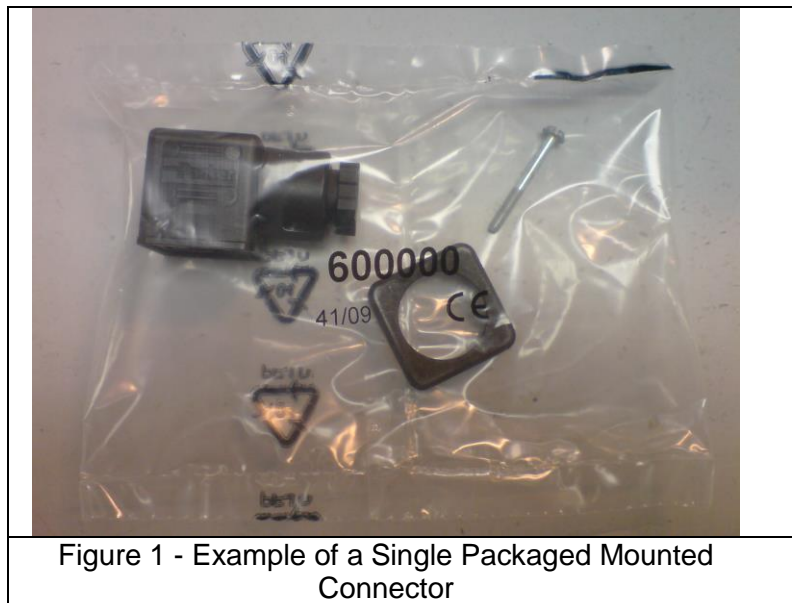


Figure 1 - Example of a Single Packaged Mounted Connector

Table 1 - Mounted, Single Packed Final Part Numbers

PART No.	MPM PART No.	SPQ	OUTER BOX	MOQ	LOGO	COLOUR	THREAD
1210650420	S54209TC4D10126	250	1211160036	250*	mPm	Clear	PG9
* Place 25 kits into bag 1211160037 then place 10 bags in the box (1211160036), no inner box required.							
1210650417	S54209TC4B1R622	50	1211160005	50**	mPm	Clear	PG9
** Place 10 kits into bag 1211160037 then place 5 bags in the box (1211160005), no inner box required.							
1210650492	S54209TC45114	100	1211160003	100	mPm	Clear	PG9

THIS DOCUMENT CONTAINS INFORMATION THAT IS PROPRIETARY TO MOLEX ELECTRONIC TECHNOLOGIES, LLC AND SHOULD NOT BE USED WITHOUT WRITTEN PERMISSION.

REVISION: J	EC INFORMATION: EC No: 638770 DATE: 2020/07/21	TITLE: PACKAGING SPECIFICATION FOR DIN VALVE SERIES S54	SHEET No. 3 of 11
DOCUMENT NUMBER: PK-121064-S54	DOC TYPE: PS	DOC PART: 001	CREATED / REVISED BY: RPRABHUM
		CHECKED BY: GGA	APPROVED BY: GGA

4.2 - BULK PACKAGED: MOUNTED:

The bulk pack mounted connector kit consists of 100 Insert Assemblies and Cover Assemblies mounted together and placed in a carton for shipping; reference Table 2 below for carton part numbers.

Where applicable (refer to the Bill of Material), a bag of screws and a bag of gaskets are included.

Components must not be mixed in bags.

This constitutes a kit of 100 mounted connectors.



Figure 2 - Example of bulk pack mounted connectors

THIS DOCUMENT CONTAINS INFORMATION THAT IS PROPRIETARY TO MOLEX ELECTRONIC TECHNOLOGIES, LLC AND SHOULD NOT BE USED WITHOUT WRITTEN PERMISSION.

REVISION: J	EC INFORMATION: EC No: 638770 DATE: 2020/07/21	TITLE: PACKAGING SPECIFICATION FOR DIN VALVE SERIES S54			SHEET No. 4 of 11
DOCUMENT NUMBER: PK-121064-S54	DOC TYPE: PS	DOC PART: 001	CREATED / REVISED BY: RPRABHUM	CHECKED BY: GGA	APPROVED BY: GGA



PACKAGING SPECIFICATION

Table 2 - Mounted, Bulk Packed Final Part Number Kits

PART No.	MPM PART No.	SPQ	BOX P/N	MOQ	LOGO	COLOUR	THREAD
1210641047	S54209TA121	100	1211160003	100	mPm	Clear	PG9
1210641069	S54209TC451	100	1211160003	100	mPm	Clear	PG9
1210650413	S54209TC4B12Q	100	1211160003	100	mPm	Clear	PG9
1210641075	S54209TC4H1	100	1211160003	100	mPm	Clear	PG9
1210641384	S54209TS0H1	100	1211160003	100	mPm	Clear	PG9
1210641070	S54209TC452	100	1211160003	100	mPm	Clear	PG9
1210641076	S54209TC4H2	100	1211160003	100	mPm	Clear	PG9
1210641456	S542M6TC321	100	1211160003	100	mPm	Clear	M16x1.5
1210641045	S54209TA051	100	1211160003	100	mPm	Clear	PG9
1210641058	S54209TC322	100	1211160003	100	mPm	Clear	PG9
1210641065	S54209TC422	100	1211160003	100	mPm	Clear	PG9
1210641064	S54209TC421	100	1211160003	100	mPm	Clear	PG9
1210641614	S542M2TS021	100	1211160003	100	mPm	Clear	M12x1.5
1210641592	S542M2TA1D1	100	1211160003	100	mPm	Clear	M12x1.5
1210641488	S54209WR051SA	100	1211160003	100	mPm	Black	PG9
1210641489	S54209WR041SA	100	1211160003	100	mPm	Black	PG9
1210641085	S54209TS0B1	100	1211160003	100	mPm	Clear	PG9
1210641084	S54209TS021	100	1211160003	100	mPm	Clear	PG9
1210641512	S54209TR2B2	100	1211160003	100	mPm	Clear	PG9
1210641430	S54209TR051	100	1211160003	100	mPm	Clear	PG9
1210641079	S54209TC4M2	100	1211160003	100	mPm	Clear	PG9
1210641272	S54209TC4L2	100	1211160003	100	mPm	Clear	PG9
1210641074	S54209TC4E1	100	1211160003	100	mPm	Clear	PG9
1210641073	S54209TC4D1	100	1211160003	100	mPm	Clear	PG9
1210641072	S54209TC4C1	100	1211160003	100	mPm	Clear	PG9
1210641417	S54209TC4B1P7	100	1211160003	100	mPm	Clear	PG9
1210641071	S54209TC4B1	100	1211160003	100	mPm	Clear	PG9
1210641357	S54209TC45A	100	1211160003	100	mPm	Clear	PG9
1210641362	S54209TC44A	100	1211160003	100	mPm	Clear	PG9

THIS DOCUMENT CONTAINS INFORMATION THAT IS PROPRIETARY TO MOLEX ELECTRONIC TECHNOLOGIES, LLC AND SHOULD NOT BE USED WITHOUT WRITTEN PERMISSION.

REVISION: J	EC INFORMATION: EC No: 638770 DATE: 2020/07/21	TITLE: PACKAGING SPECIFICATION FOR DIN VALVE SERIES S54	SHEET No. 5 of 11		
DOCUMENT NUMBER: PK-121064-S54	DOC TYPE: PS	DOC PART: 001	CREATED / REVISED BY: RPRABHUM	CHECKED BY: GGA	APPROVED BY: GGA



PACKAGING SPECIFICATION

1210641067	S54209TC441	100	1211160003	100	mPm	Clear	PG9
1210641307	S54209TC42A	100	1211160003	100	mPm	Clear	PG9
1210641700	S54209TC424	100	1211160003	100	mPm	Clear	PG9
1210641399	S54209TC3B1	100	1211160003	100	mPm	Clear	PG9
1210641051	S54209TA151	100	1211160003	100	mPm	Clear	PG9
1210641049	S54209TA141	100	1211160003	100	mPm	Clear	PG9
1210641038	S54209NR051	100	1211160003	100	mPm	Black	PG9
1210641037	S54209NR041	100	1211160003	100	mPm	Black	PG9
1210641036	S54209NR021	100	1211160003	100	mPm	Black	PG9
1210650385	S54209NE05189	100	1211160003	100	mPm	Black	PG9
1210641033	S54209GR051	100	1211160003	100	mPm	Grey	PG9
1210650596	S542M6TC421	100	1211160003	100	mPm	Clear	M16x1.5
1210641792**	S542M6TC321AF	100	121160003	100	MPm	Clear	M16x1.5
1210641080	S54209TR221	100	1211160003	100	mPm	Clear	PG9
1210641082	S54209TR251	100	1211160003	100	mPm	Clear	PG9
1210641803	S54209TR2M2	100	1211160003	100	mPm	Clear	PG9
1210641083	S54209TR2H1	100	1211160003	100	mPm	Clear	PG9
1210641810	S54209TR2M1	100	1211160003	100	mPm	Clear	PG9

** Part packed with fixing screw mounted in connector

THIS DOCUMENT CONTAINS INFORMATION THAT IS PROPRIETARY TO MOLEX ELECTRONIC TECHNOLOGIES, LLC AND SHOULD NOT BE USED WITHOUT WRITTEN PERMISSION.

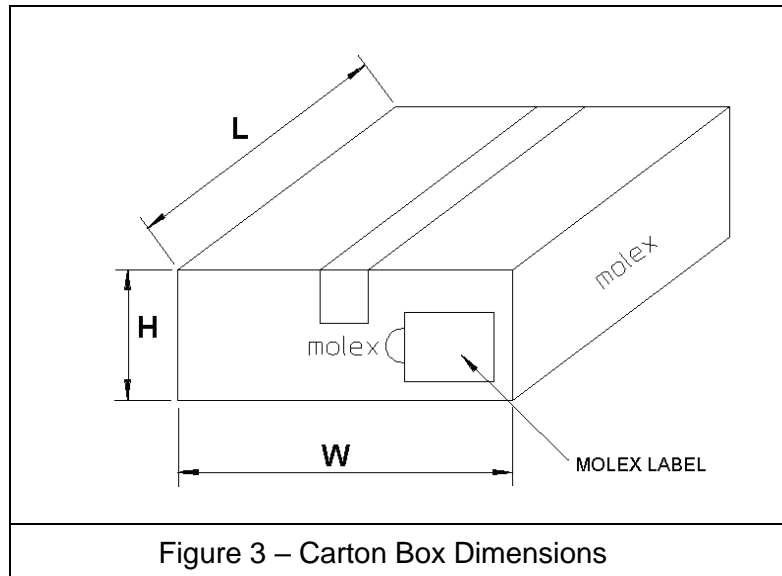
REVISION: J	EC INFORMATION: EC No: 638770 DATE: 2020/07/21	TITLE: PACKAGING SPECIFICATION FOR DIN VALVE SERIES S54	SHEET No. 6 of 11		
DOCUMENT NUMBER: PK-121064-S54	DOC TYPE: PS	DOC PART: 001	CREATED / REVISED BY: RPRABHUM	CHECKED BY: GGA	APPROVED BY: GGA

5.0 CARTON DIMENSIONS

All dimensions are internal dimensions of the box and are in millimeters

Table 3 – Carton Box Inner Dimensions

Carton Part No.	L	W	H
1211160003	280	140	140
1211160036	375	305	195
1211160005	760	315	205



THIS DOCUMENT CONTAINS INFORMATION THAT IS PROPRIETARY TO MOLEX ELECTRONIC TECHNOLOGIES, LLC AND SHOULD NOT BE USED WITHOUT WRITTEN PERMISSION.

REVISION: J	EC INFORMATION: EC No: 638770 DATE: 2020/07/21	TITLE: PACKAGING SPECIFICATION FOR DIN VALVE SERIES S54	SHEET No. 7 of 11		
DOCUMENT NUMBER: PK-121064-S54	DOC TYPE: PS	DOC PART: 001	CREATED / REVISED BY: RPRABHUM	CHECKED BY: GGA	APPROVED BY: GGA

6.0 LABELLING

The labels used are standard Molex Ireland labels and measure 124.0 x 70.0 mm.

See Figure 4 below for a label sample.






(1P) PART NUMBER XXXXXXXXXX 		
DESCRIPTION		
(Q) QUANTITY XXX 		
(12D) INV CTRL DATE XXXX/XX/XX		
(4L) COUNTRY OF ORIGIN Ireland		
(S) TRACKING NO XXXXXXXXXX 		  www.molex.com
REACH SVHC information - see www.molex.com		
Packing Standards 0/0	VS	
Eng.Nr. XXXXXXXXXX	X/X	
Molex P/N XXXXXXXXXX		
MOLEX IRELAND LTD., SHANNON INDUSTRIAL ESTATE, SHANNON, CO.CLARE, IRELAND		

Figure 4 – Molex Label Example

THIS DOCUMENT CONTAINS INFORMATION THAT IS PROPRIETARY TO MOLEX ELECTRONIC TECHNOLOGIES, LLC AND SHOULD NOT BE USED WITHOUT WRITTEN PERMISSION.

REVISION: J	EC INFORMATION: EC No: 638770 DATE: 2020/07/21	TITLE: PACKAGING SPECIFICATION FOR DIN VALVE SERIES S54	SHEET No. 8 of 11		
DOCUMENT NUMBER: PK-121064-S54	DOC TYPE: PS	DOC PART: 001	CREATED / REVISED BY: RPRABHUM	CHECKED BY: GGA	APPROVED BY: GGA

7.0 SHIPPING PALLETS

For shipping style X, boxes may be shipped individually or a number may be put into a larger box for shipping.

For shipping style Y, boxes are stacked in a small shipping pallet box.

For shipping style Z, boxes are stacked in a large shipping pallet box.

For the small and large pallet boxes, if the pallet box is not full then it may be cut down in size.

Depending on the size of the order, a smaller Euro Pallet can be used 890 x 660mm.

See Fig. 8 for pallet box example.

Shipping Style information is contained in Table 4

Box No.	No. of Boxes			See Fig.
	less than	between	between	
1211160003	20	20 < 50	50 < 125	Fig. 5
1211160005	3	3 < 10	10 < 15	Fig. 6
1211160036	6	6 < 20	20 < 30	Fig. 7
Shipping Style	X	Y	Z	

Table 4. Shipping Style Information

Boxes shall be stacked vertically (columnar) i.e. not interlocked see Fig. 5, Fig. 6, & Fig. 7.

Note: Pallets should not be stacked on top of one another.

Only heat treated EUR- Pallets to be used.

THIS DOCUMENT CONTAINS INFORMATION THAT IS PROPRIETARY TO MOLEX ELECTRONIC TECHNOLOGIES, LLC AND SHOULD NOT BE USED WITHOUT WRITTEN PERMISSION.

<u>REVISION:</u> J	<u>EC INFORMATION:</u> EC No: 638770 DATE: 2020/07/21	<u>TITLE:</u> PACKAGING SPECIFICATION FOR DIN VALVE SERIES S54			<u>SHEET No.</u> 9 of 11
<u>DOCUMENT NUMBER:</u> PK-121064-S54	<u>DOC TYPE:</u> PS	<u>DOC PART:</u> 001	<u>CREATED / REVISED BY:</u> RPRABHUM	<u>CHECKED BY:</u> GGA	<u>APPROVED BY:</u> GGA

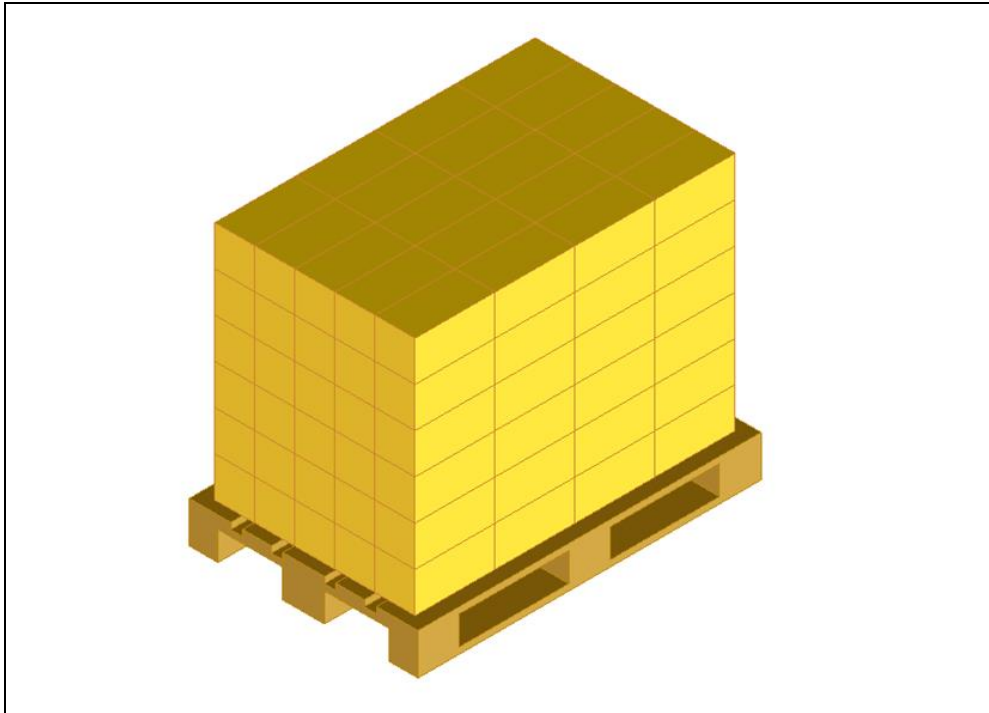


Figure 5 – Pallet Stacking Layout for Box 1211160003

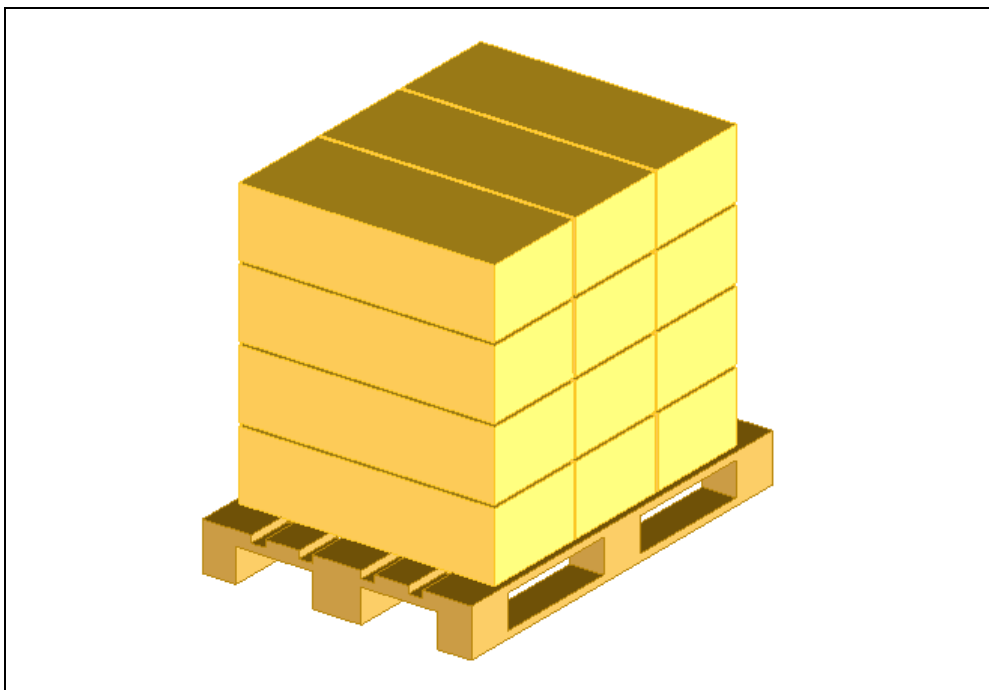


Figure 6 – Pallet Stacking Layout for Box 1211160005

THIS DOCUMENT CONTAINS INFORMATION THAT IS PROPRIETARY TO MOLEX ELECTRONIC TECHNOLOGIES, LLC AND SHOULD NOT BE USED WITHOUT WRITTEN PERMISSION.

REVISION: J	EC INFORMATION: EC No: 638770 DATE: 2020/07/21	TITLE: PACKAGING SPECIFICATION FOR DIN VALVE SERIES S54				SHEET No. 10 of 11
DOCUMENT NUMBER: PK-121064-S54	DOC TYPE: PS	DOC PART: 001	CREATED / REVISED BY: RPRABHUM	CHECKED BY: GGA	APPROVED BY: GGA	

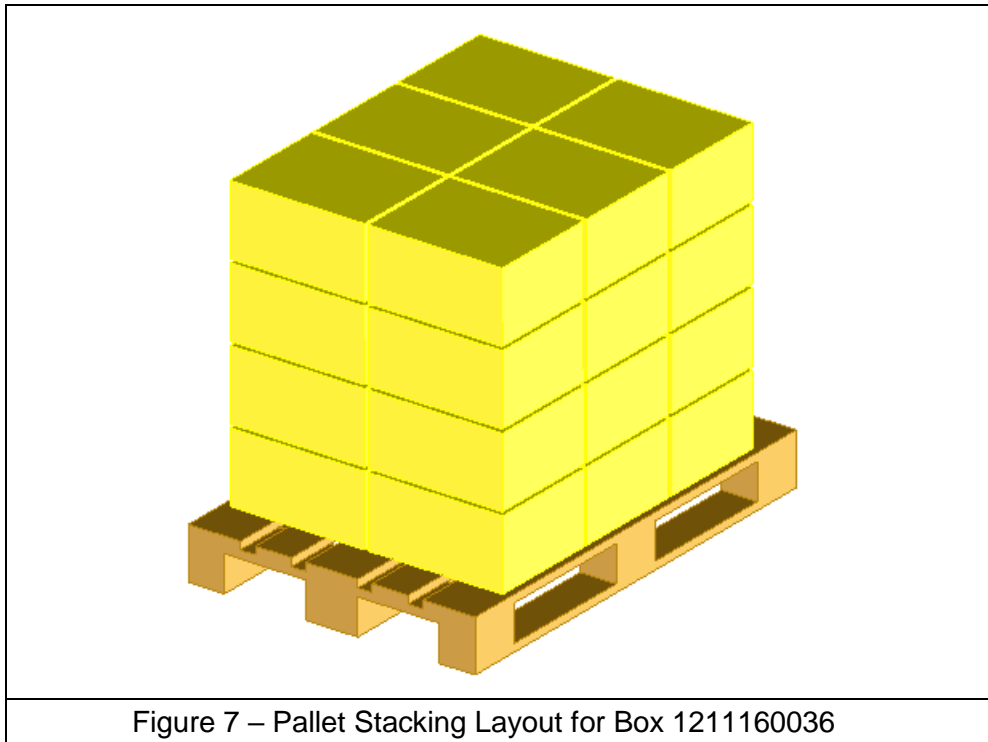


Figure 7 – Pallet Stacking Layout for Box 1211160036



Figure 8 – Boxes contained in a Pallet box

THIS DOCUMENT CONTAINS INFORMATION THAT IS PROPRIETARY TO MOLEX ELECTRONIC TECHNOLOGIES, LLC AND SHOULD NOT BE USED WITHOUT WRITTEN PERMISSION.

<u>REVISION:</u> J	<u>EC INFORMATION:</u> EC No: 638770 DATE: 2020/07/21	<u>TITLE:</u> PACKAGING SPECIFICATION FOR DIN VALVE SERIES S54			<u>SHEET No.</u> 11 of 11	
<u>DOCUMENT NUMBER:</u> PK-121064-S54		<u>DOC TYPE:</u> PS	<u>DOC PART:</u> 001	<u>CREATED / REVISED BY:</u> RPRABHUM	<u>CHECKED BY:</u> GGA	<u>APPROVED BY:</u> GGA